



SOLAR PV MODULE
(DCR/NON-DCR)
144 HALF CUT
MONO PERC CELL
RANGE - 10W TO 575W

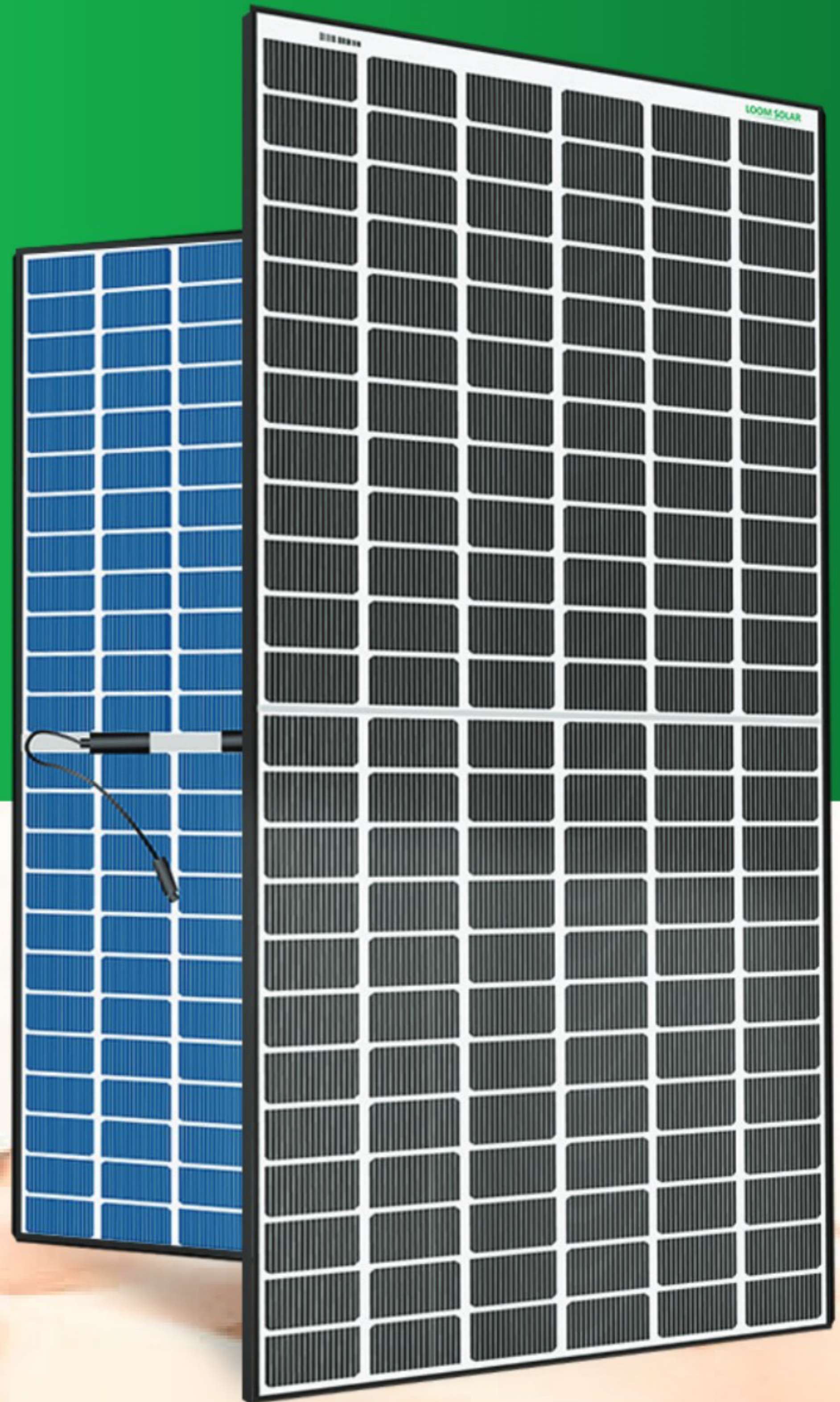
High Performance Guarantee!



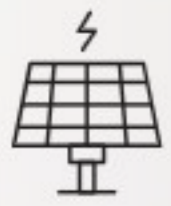
years
performance
warranty



Multi Bus Bar



Leading Features



Ideal For Rooftop Installations



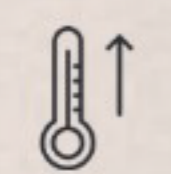
High Power



Better Shading Tolerance



Lower Lcoe & System Cost



Excellent Temperature Performance



LOOM SOLAR

अपने घर हो अपनी बिजली

SHARK | 550W

ELECTRICAL DATA *STC

Model Type	SHARK 550
Maximum Power Pmax (W)	550
Maximum Power Voltage Vmp (V)	42.74
Maximum Power Current Imp (A)	12.89
Open Circuit Voltage Voc (V)	49.90
Short Circuit Current Isc (A)	13.72
Module Efficiency (%)	21.35%

Cell Temperature 25°C STC: Irradiance at 1000W/m², Air Mass AM 1.5

TEMPERATURE RATINGS

Temperature Coefficient of Isc (Isc)	+0.048%/°C
Temperature Coefficient of Voc (Voc)	-0.270%/°C
Temperature Coefficient of Pmax (Pmp)	-0.350%/°C
Nominal Operating Cell Temperature (NOCT)	45°C±2°C

OPERATING PARAMETERS

Maximum System Voltage	VDC 1500V
Operating Temperature	-40°C±85°C
Maximum Series Fuse	30A

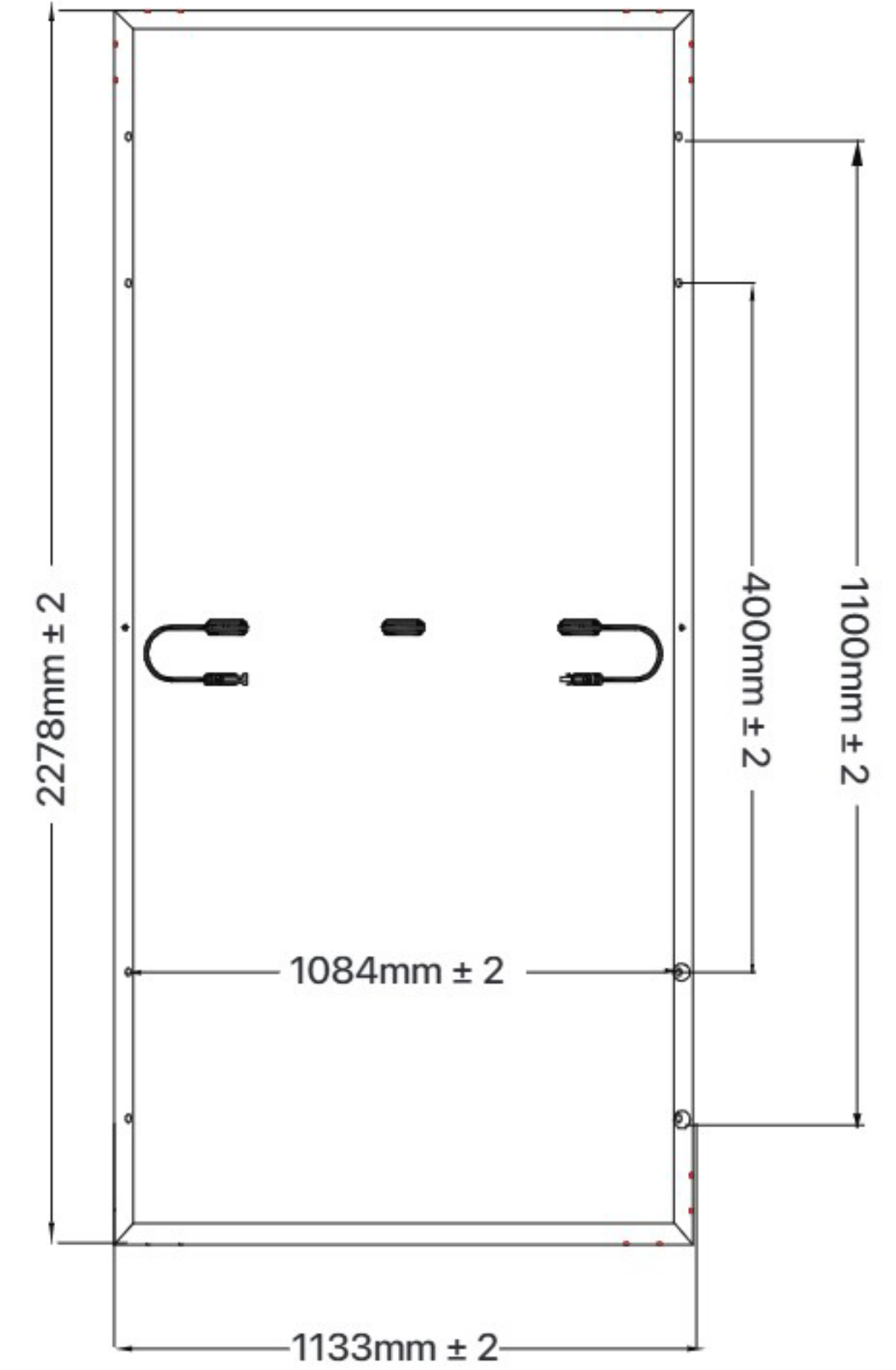
MECHANICAL DATA

Solar Cell Type	Mono Perc
Number of Cell	144 Cells (12x6) (12x6)
Number of Bus bar	10BB
Module Dimensions	2278mmx1133mmx35mm
Weight	29 Kg
Front Glass	AR-coating toughened glass, 3.2 mm
Frame	Black/Silver Anodized Aluminium
J-Box	Split Junction Box (IP68)
Cable	400 mm, 4Sqm
Connector	MC4 IP68 compatible
Maximum Test Load, Push/ Pull	5400Pa/2400Pa

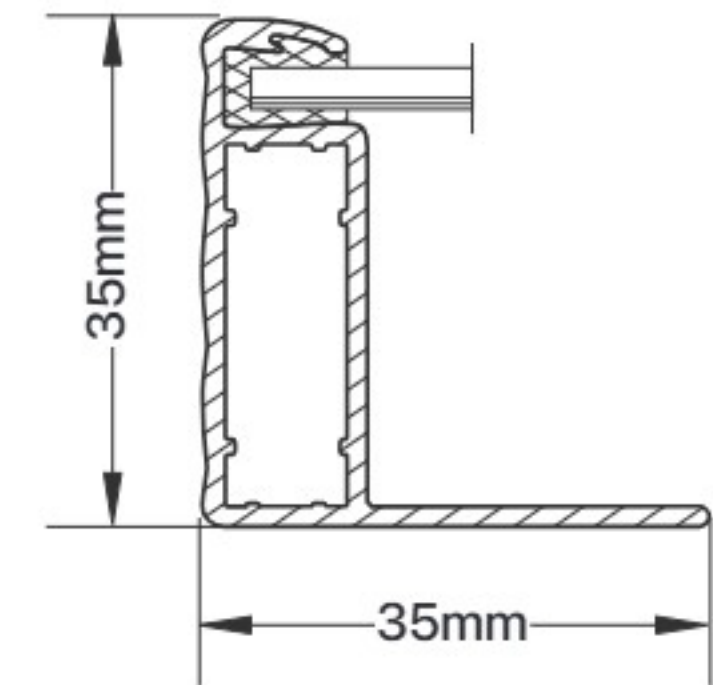
PACKING CONFIGURATION

Retail Packing	1 Module
Commercial Packing	31 Module

DIMENSION



Mechanical Drawing



*Installation instruction must be followed. See the installation manual or contact our technical service department for further information on approved installation.
 *The specification and key features described in this datasheet may deviate slightly and are not guaranteed. Due to ongoing innovation, R&D enhancement, Loom Solar (India) Pvt. Ltd. reserves the right to make any adjustment to the information described here in at any time without notice. Please always obtain the most recent version of the datasheet which shall be duly incorporated into the binding contract made by the parties governing all transactions related to the purchase and sale of the products described here in.