



Magnus

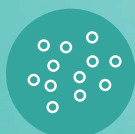
 510 W

 Made in the EU

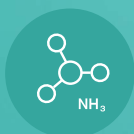
2+2 mm glass



Fire class A



Salt mist resistance



Ammonia resistance



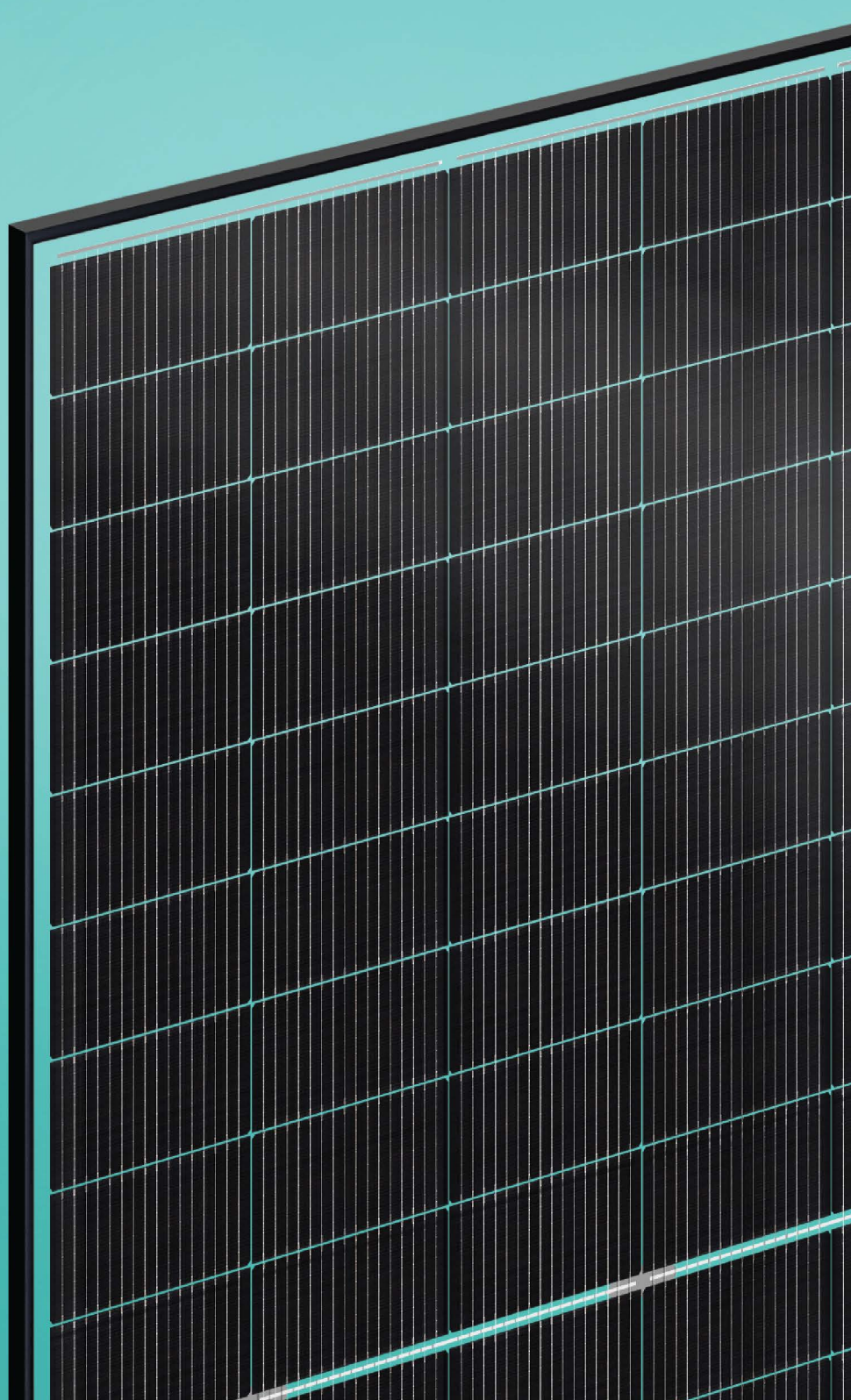
Hail resistance class 4



98,8 % recyclable



35% of recycled glass content



30 Product & Efficiency Guarantee
YEAR

90% POWER WARRANTY



THE FIRST AND ONLY IN THE WORLD

Electrical data (STC*)

Maximum power (W)	510
Cell technology	N type, TOPCon - bifacial
Open circuit voltage (V_{oc}/V)	39,06
Short circuit current (I_{sc}/A)	15,95
Max power voltage (V_{mpp}/V)	33,34
Max power current (I_{mp}/A)	15,30
Module efficiency (η)	22,93%
Max system voltage (V)	1500
Max current (A)	30
Power tolerance	0/+5W

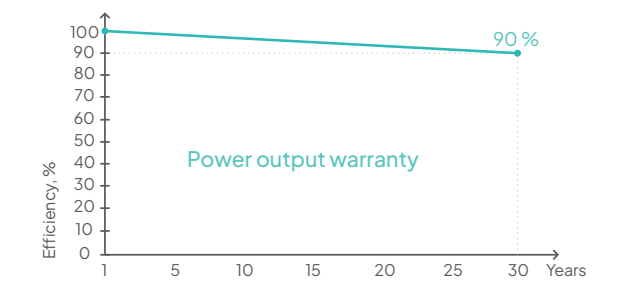
*Under standard test conditions (STC) of irradiance of 1000W/sq.m., spectrum AM1.5 and cell temperature of 25°C. Flash testing measurement accuracy of +/-5%.

Warranty

30 years product warranty

30 years efficiency warranty

First year degradation (%)	1
Annual degradation (%)	0,31
Power in year 30 (%)	90



Certifications

IEC 61215:2021; IEC 61730:2023

Cradle to Cradle (C2C)	Gold level
IEC 62716:2013	Ammonia corrosion testing
IEC 61701:2020	Salt mist corrosion testing
IEC 61215-2:2021	40 mm hailstone - Hail resistance class 4 (HW4)
ISO 9001:2015	Quality management systems
ISO 14001:2015	Environmental management systems
ISO 45001:2018	Occupational health and safety
SundaHus	A level assessment

Produced using 100% renewable energy

Membership at Svensk Solenergi



Product assessed in SundaHus Material Data



PRODUCED USING 100% RENEWABLE ENERGY

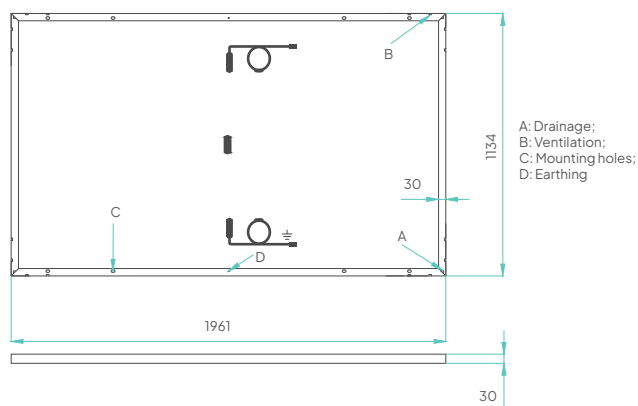


Temperature ratings

Current temperature coefficient (α)	+0,045% / °C
Voltage temperature coefficient (β)	-0,250% / °C
Power temperature coefficient (δ)	-0,300% / °C
Nominal operating module temperature	46 °C

Mechanical data

Dimensions (LxWxH) (mm)	1961x1134x30
Weight (kg)	28,5
Front glass (mm)	2 structured, low reflection, with AR coating
Back glass (mm)	2, transparent
Cell Size (mm)	182,2x105
Busbars	16
Cell configuration	6x18
Frame	Black anodized aluminium frame
Rated operating altitude (m)	Up to 2000
Operating temperature (°C)	-40 ÷ +85
Maximum test load (wind/snow) (Pa)	3600/8100
Junction box / IP class	Split junction box / IP68
Cable cross section size (mm ²)	4
Cable length (m)	1,2
Bypass diodes	3
Connector	MC4-EVO2



Packing information

Modules per pallet (pcs)	31
Dimensions of a pallet (LxWxH) (mm)	2010x1205x1157
Weight of a pallet (gross) (kg)	950
Pallets per 13,6 m truck (pcs)	24
Modules per 13,6 m truck (pcs)	744

